



**SELF LOADING CONCRETE MIXERS**



**UNCONVENTIONAL**

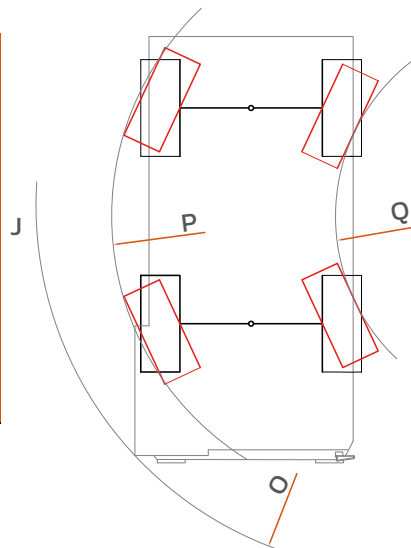
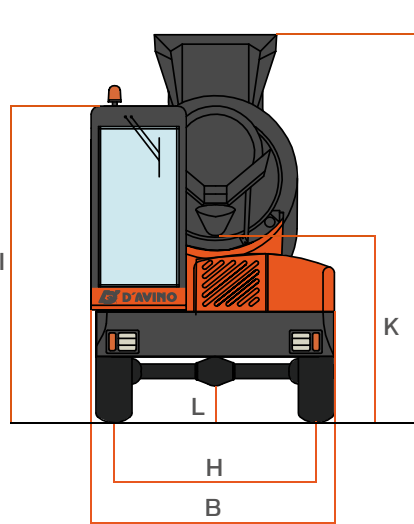
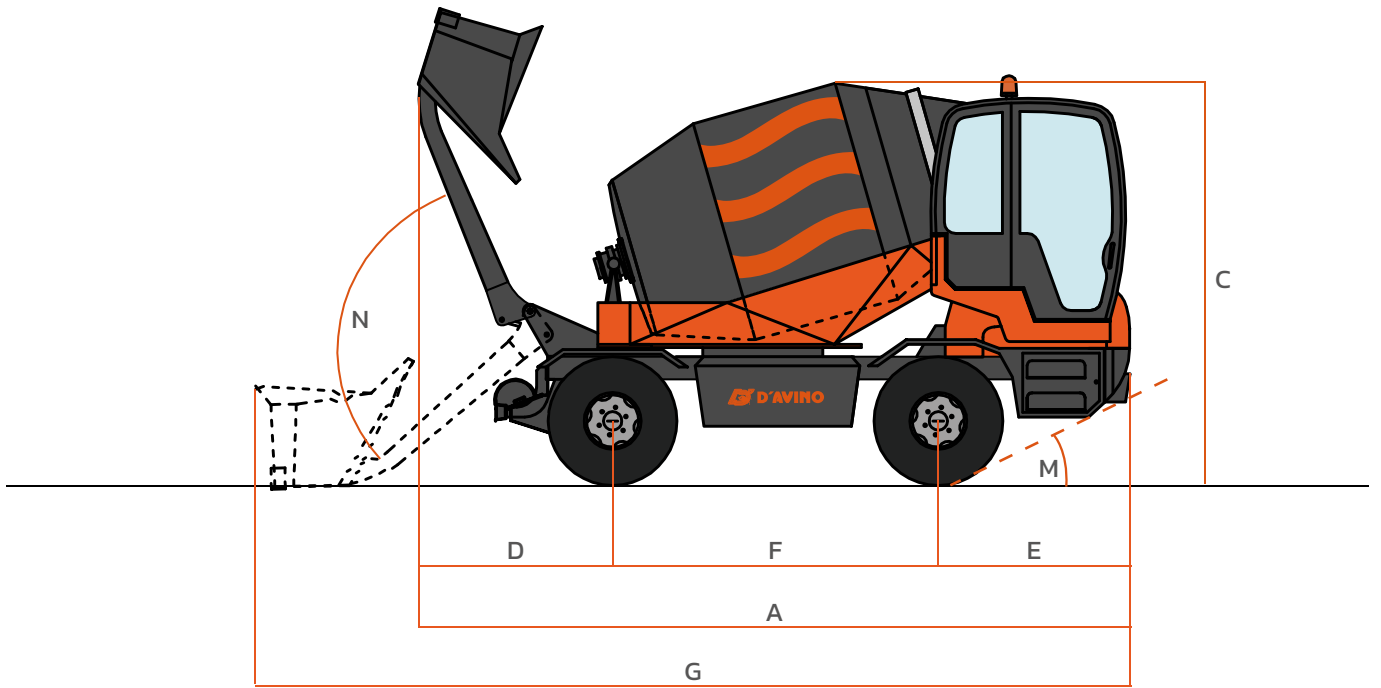




## Technical data

<b>GENERAL DATA</b>		<b>R40</b>	<b>R30</b>
Output Class S1	m³	4,5	3,0
Drivers'seat		Rotating 315°	Rotating 270°
Frame		Fixed	Fixed
Drum volume	l	5.800	3.700
Bucket capacity	l	500	500
Loading system		Front	Front
Unloading system		Rotating 315°	Rotating 270°
Empty weight	kg	8.400	5.980
Transmission		Hydrostatic	Hydrostatic
Cabin		Rops-Fops	Rops-Fops
<b>*ENGINE</b>			
Brand		Perkins	Yanmar
Model		904J-E36TA	4TNV98CT-NYI2D
Power	kW	90	53,7
<b>DRIVING</b>			
Max speed	km/h	35	40
Gradeability	%	40	50
Turning radius	mm	5550	4550
Traction		AWS	AWS
Tyres		18-19,5 16 PR	12.5/80-18 16 PR
Axle oscillation lock		Standard	Standard
<b>HYDRAULIC SYSTEM</b>			
Hydraulic system		Duble gear pump	Duble gear pump
Working pressure	bar	180	180
<b>ELECTRICAL SYSTEM</b>			
Starter motor	V/kW	12/4	12/4
Battery	V/Ah	12/50	12/50
<b>TANK CAPACITY</b>			
Fuel	l	160	125
Hydraulic	l	130	125
<b>BRAKES</b>			
Service		Hydraulic acting on both axles	
Parking		Hydraulic acting on the rear axles	
<b>APPROVALS</b>			
Road approval (Italian)		Yes	Yes

\*Stage IIIA engine available



	<b>R40</b>	<b>R30</b>
<b>A</b>	5630	4370
<b>B</b>	2430	2260
<b>C</b>	3200	2840
<b>D</b>	1535	780
<b>E</b>	1515	1460
<b>F</b>	2580	2130
<b>G</b>	6930	6860
<b>H</b>	1910	1665
<b>I</b>	3150	2840
<b>J</b>	3830	3670
<b>K</b>	1680	1440
<b>L</b>	370	300
<b>M</b>	26°	30°
<b>N</b>	110°	110°
<b>O</b>	5550	4450
<b>P</b>	4650	3850
<b>Q</b>	2745	2050



AMOG srl | I-80031 Brusciano (NA) | Tel. +39 081 658 8361 | [sales@davinogroup.biz](mailto:sales@davinogroup.biz)

[davinomixer.com](http://davinomixer.com)