



660.2
RUNNER

560.2
RUNNER

440.2
MASTER

SELF LOADING CONCRETE MIXERS



BEST IN CLASS

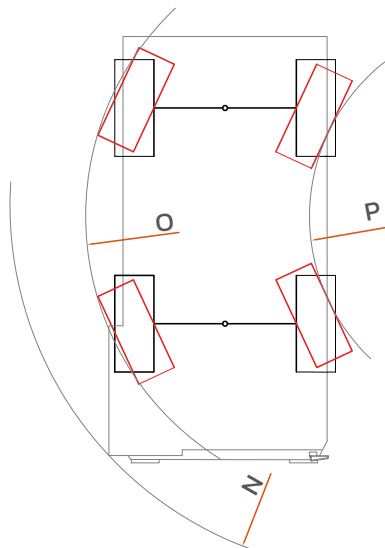
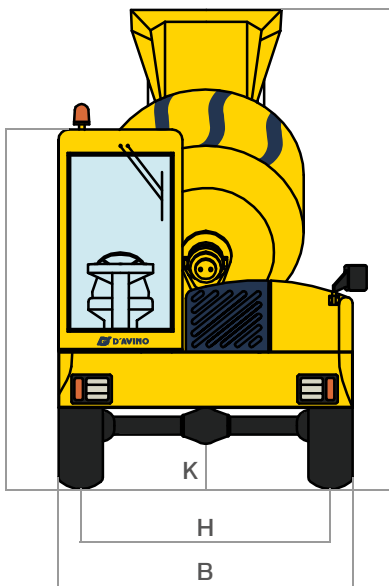
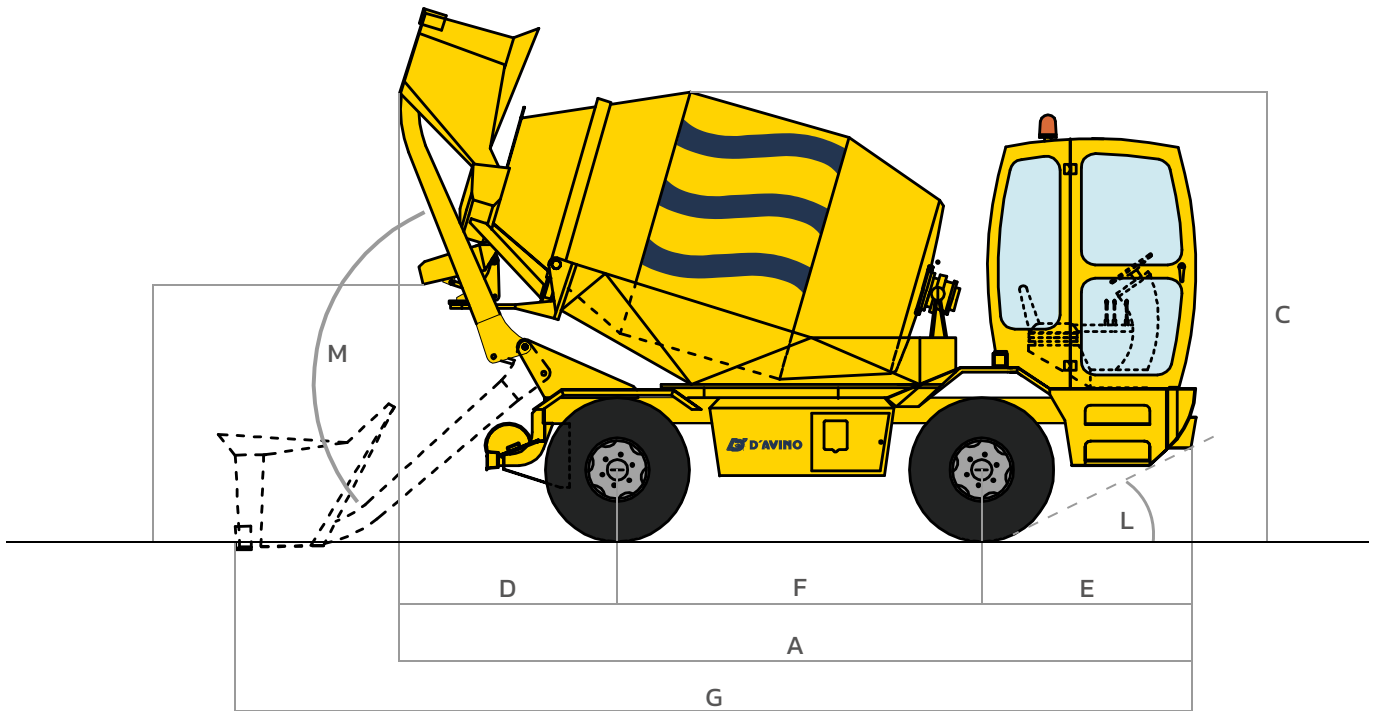


660.2
RUNNER560.2
RUNNER440.2
MASTER

Technical data

GENERAL DATA		660	560	440
Output Class S1	m ³	5,1	4,5	2,6
Drivers'seat		Rotating	Rotating	Rotating
Frame		Fixed	Fixed	Fixed
Drum volume	l	6.850	5.800	3.700
Bucket capacity	l	600	600	600
Loading system		Rear	Rear	Rear
Unloading system		Rear	Slewing 180°	Slewing 180°
Empty weight	kg	6.900	7.200	5.500
Transmission		Hydrostatic	Hydrostatic	Hydrostatic
Cabin		Rops-Fops	Rops-Fops	Rops-Fops
*ENGINE				
Brand		Perkins	Perkins	Yanmar
Model		904J-E36TA	904J-E36TA	4TNV98CT-NYI2D
Power	kW	90	90	53,7
DRIVING				
Max speed	km/h	35	35	25 (40 opt.)
Gradeability	%	40	40	50
Turning radius	mm	5150	5150	4000
Traction		AWS	AWS	AWS
Tyres		18-19,5 16 PR	18-19,5 16 PR	12.5/80-18 16 PR
Axle oscillation lock		Optional	Optional	Optional
HYDRAULIC SYSTEM				
Hydraulic system		Duble gear pump	Duble gear pump	Duble gear pump
Working pressure	bar	180	180	180
ELECTRICAL SYSTEM				
Starter motor	V/kW	12/4	12/4	12/3
Battery	V/Ah	12/50	12/50	12/50
TANK CAPACITY				
Fuel	l	150	125	100
Hydraulic	l	140	140	130
BRAKES				
Service		Hydraulic acting on both axles		
Parking		Hydraulic acting on the rear axles		
APPROVALS				
Road approval (Italian)		Yes	Yes	Yes

*Stage IIIA engine available



	660	560	440
A	5920	5630	4905
B	2360	2360	2000
C	3200	3180	2940
D	1825	1535	1490
E	1515	1515	1285
F	2580	2580	2130
G	6930	6930	6110
H	1910	1910	1665
I	2820	2820	2780
J	3830	3830	3720
K	1680	370	300
L	26°	26°	31°
M	110°	110°	110°
N	5150	5150	4000
O	4650	4650	3850
P	2475	2475	2050

